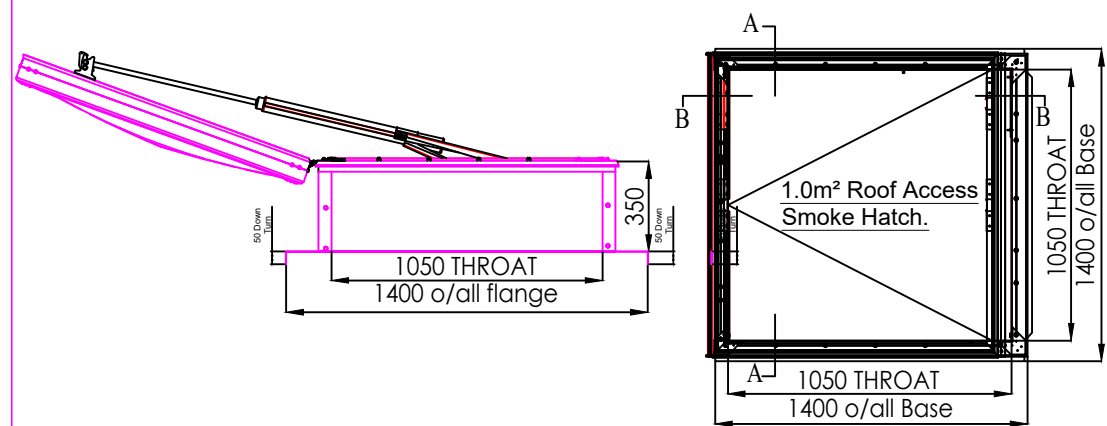
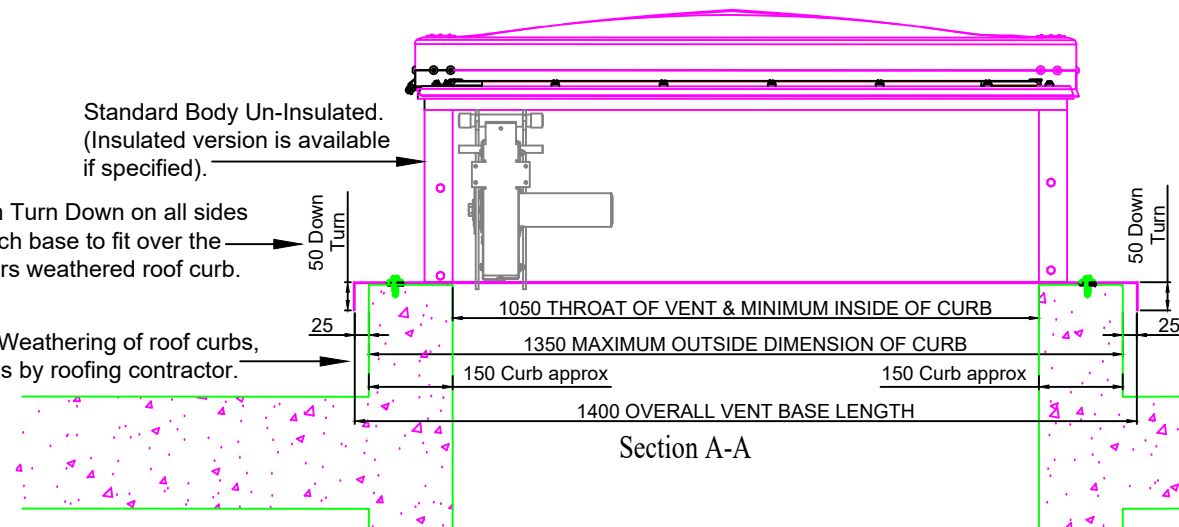


Standard Body Un-Insulated.
(Insulated version is available if specified).

50mm Turn Down on all sides of hatch base to fit over the builders weathered roof curb.

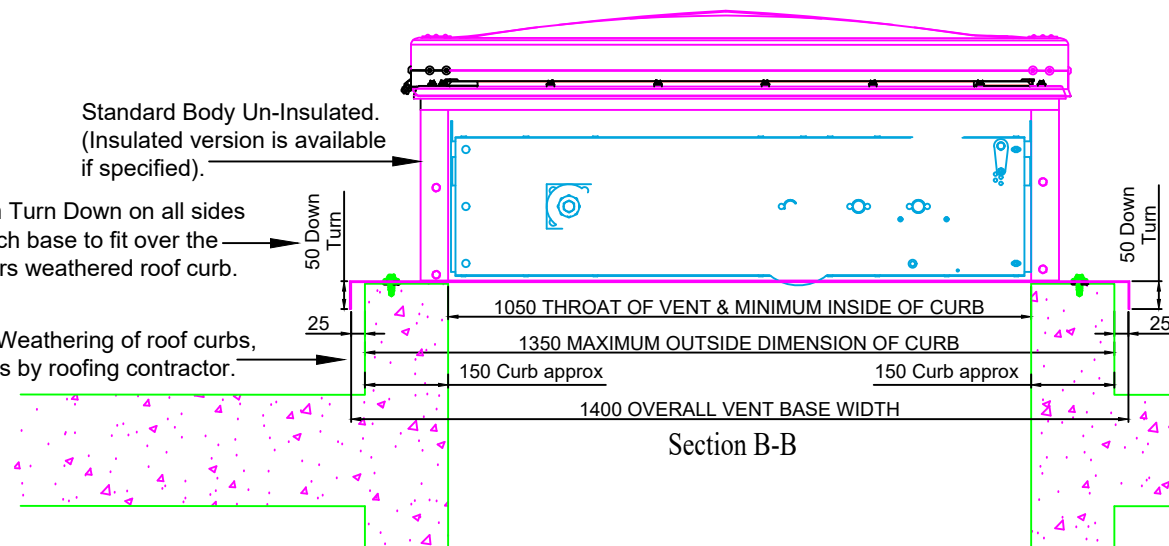
Weathering of roof curbs, is by roofing contractor.



Standard Body Un-Insulated.
(Insulated version is available if specified).

50mm Turn Down on all sides of hatch base to fit over the builders weathered roof curb.

Weathering of roof curbs, is by roofing contractor.

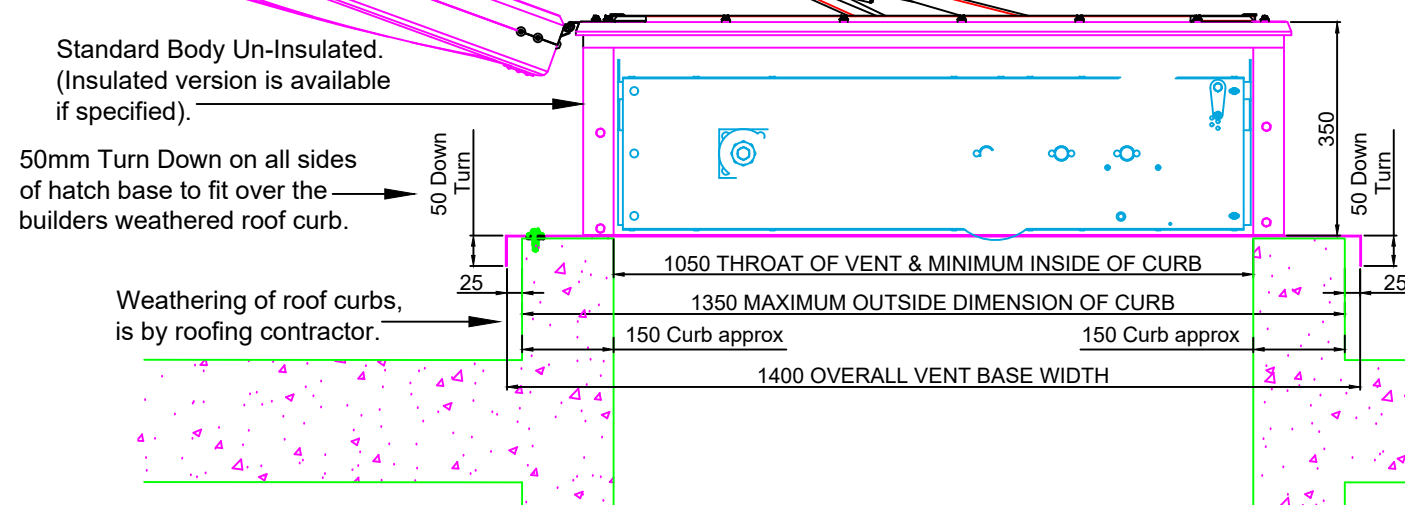


1.0m² Roof Access Smoke Hatch.

Standard Body Un-Insulated.
(Insulated version is available if specified).

50mm Turn Down on all sides of hatch base to fit over the builders weathered roof curb.

Weathering of roof curbs, is by roofing contractor.



3D Hatch (Opened)

Revision(s)		
Rev'n	Change	Date



HUNTER PRODUCTS LTD.
This drawing is copyright. ©

Hunter Products Ltd, Bridge House,
Station Yard, Halifax Road, Liversedge,
West Yorkshire, WF15 6PS

Tel: 01422 825940

Email: TBC
Web: TBC

DRAWING NUMBER	REV
	-

PROJECT

1.0m² Roof Access Hatch with 50mm
Down Turn Base & Curb Detail.

DRAWING DATE 29/06/2019
SCALE AT A3 NTS

DRAWN BY KH
TAB NAME 1.0M2 ACCESS 50MM DOWN TURN

CONTRACT NUMBER

ESTIMATE NUMBER

STATUS
COMMENT / APPROVAL