



AOV Systems

NIMBUS

NIMBUS

**EN12101-2 VERTICAL LOUVERED SMOKE
VENTILATION RANGE**

AOV Systems Vertical Louvered Smoke and Natural Ventilation Range. Designed to meet and exceed all expectations operationally and aesthetically.

The AOV Systems **NIMBUS** range of Vertical Louvered Ventilators offers numerous variants for heat exhaust and smoke ventilation.

Types

NIMBUS VFL Range of Vertical louvered Ventilators offering both solutions to ventilation requirements in the event of fire as well as natural ventilation and cooling. Single Aluminium, Double Insulated Aluminium, Polycarbonate, Single/Double Glass options are available.

Vertical Louvres for event of fire

VFL-A (Aluminium)

VFL-DI (Double Insulated Aluminium)

VFL-P16C/O (Polycarbonate - 16mm, Clear or Opal)

VFL-P25C/O (Polycarbonate - 25mm, Clear or Opal)

VFL-P32C/O (Polycarbonate - 32mm, Clear or Opal)

VFL-SG - (Single Glass)

VFL-DG - (Double Glass)

Vertical Louvres suitable for natural ventilation and cooling

VNL-A (Aluminium)

VNL-DI (Double Insulated Aluminium)

VNL-P16C/O (Polycarbonate - 16mm, Clear or Opal)

VNL-P25C/O (Polycarbonate - 25mm, Clear or Opal)

VNL-P32C/O (Polycarbonate - 32mm, Clear or Opal)

VNL-SG - (Single Glass)

VNL-DG - (Double Glass)

VFL Range



NIMBUS VFL and VNL is a multi louvered ventilator range that provides an economic, non-powered method of ventilation, allowing the removal of large quantities of warm air and / or smoke from a building within a short period of time. The Nimbus VFL and VNL is suitable for air feed (facade), air extraction (facade) and natural lighting. The vents are manufactured according to ISO 9001 quality control standards. The vents are formed from high quality corrosion resistant aluminium, to ensure low maintenance requirements and watertightness. Various methods of operation using pneumatic or electric actuators are available. The ventilator design produces a versatile economic unit suitable for a wide range of applications. Available on large dimensions, up to 2400 x 3804 mm (width x length).

EN Tested

The system has been tested and is certified in accordance with EN 12101-2



Typical Applications

Versatile scope of applications on facades, with an installation angle close to 90°. Installations: Industrial buildings, warehouses, logistics centres, shopping centres, atria, etc..

Materials

Aluminium; tempered, sea water and corrosion-resistant AlMg3 and extruded aluminium profiles for the frames. Corrosion-resistant bearings. The aluminium is supplied untreated as standard. Free of silicones.

Dimensions

Facade opening width W: 300 - 2400 mm

Facade opening length L: 761 - 3804 mm (17 louvres, max.)

Opening Angle

Individual adjustable from 0° up to 90°

Controls Natural Ventilation

P - Single pipe compressed operation

P2 - Double pipe compressed air operation

M230V Electric motor

Controls Fire Ventilation

PF - Single pipe compressed air operation with fire function

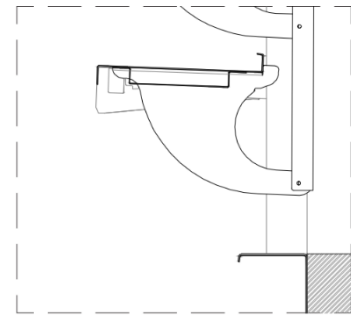
P2F - Double pipe compressed air operation with fire function

M24V Electric motor

Louvered Blade and Base Options

Louvre Blades

AL	Single aluminium
ALISO	Double insulated aluminium
PC16	Polycarbonate 16mm, clear or opal
PC25	Polycarbonate 25mm, clear or opal
GLASS	Single or double glass



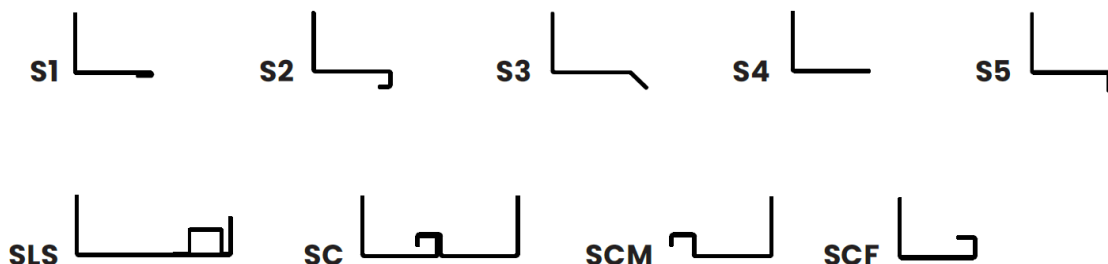
Detail 01
Single Aluminium

Bases
Single Aluminium
Double Insulated Aluminium

Flanges

S1	Flange for single glass
S2	Flange for double glass
S3	Flange for roofs, 45° bended
S4	Flange for roofs and facades
S5	Flange for upstand, 90° bended downwards
S6	Flange 90° bended upwards
SLS	Flange for skylight connection, for different polycarbonate thicknesses
SC	Flange for connection with other flange (vents connection). Male or female connection.
SCM	Flange for male connection
SCF	Flange for female connection

*Custom flange design and insulated flanges upon request



Weight

Dependent on Dimensions and Infill Type

Options

Custom Dimensions / powder-coated deign (any RAL colour) / Bird or insect mesh

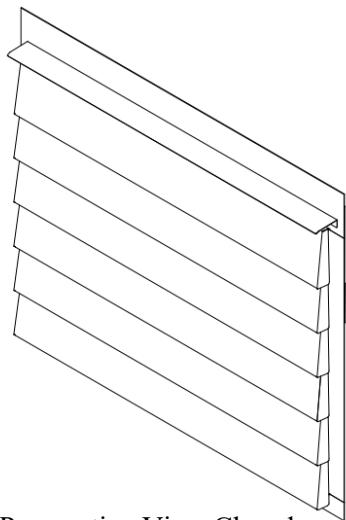
Regulations

The system has been tested and is certified in accordance with EN 12101-2

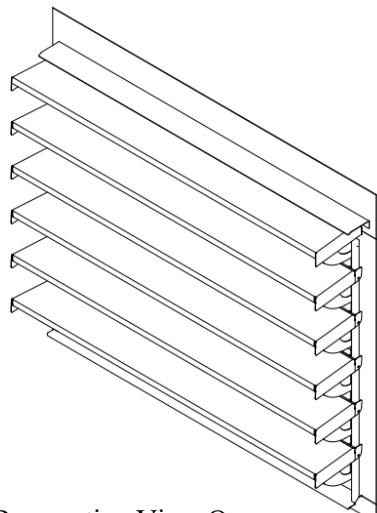
Number of Louvres Chart

NUMBER OF LOUVRES	3	4	5	6	7	8	9	10	11	12	13	14	15	16	17
WIDTH (MM)	LENGTH (MM)														
300															
600															
1000															
...	761	944	1164	1384	1604	1824	2044	2264	2484	2704	2924	3144	3364	3584	3804
1800															
2000															
2400															

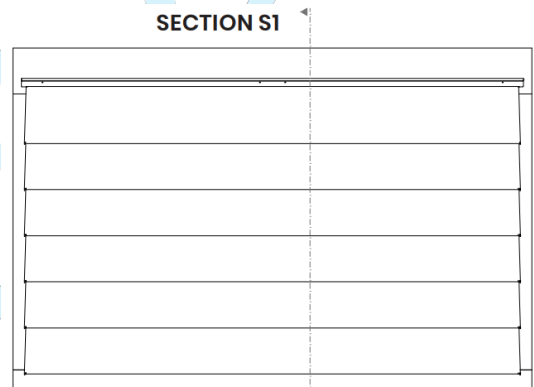
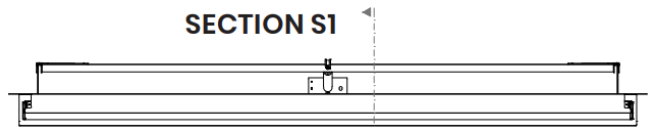
VFL and VNL Range Generic Drawings



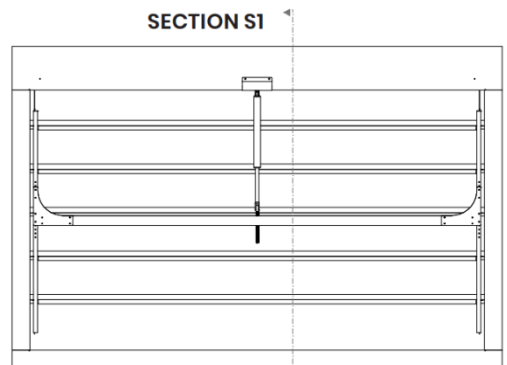
Perspective View Closed



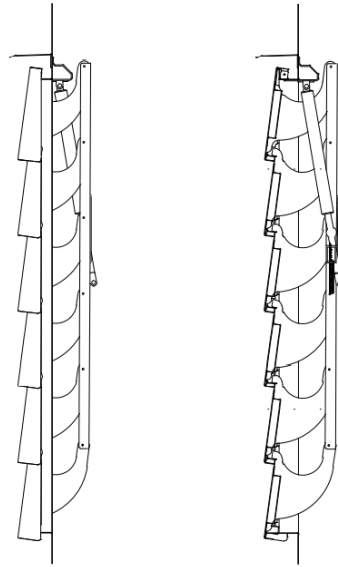
Perspective View Open



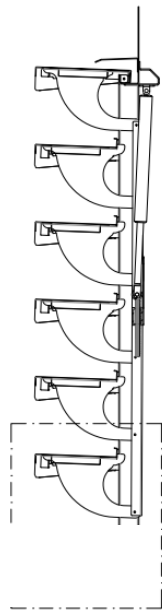
Front View Closed



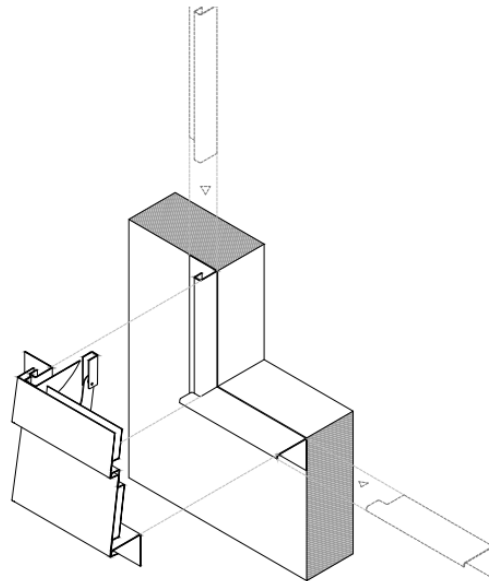
Back View Closed



Side View Closed Section S1 Closed



Section S1 Open



Base Assembly Perspective

NIMBUS



About Us

AOV Systems covers the entirety of the UK. We offer an exciting range of Smoke Ventilation, Natural Ventilation, Control Panels, Roof Access Hatches, Gated Handrails, Louvres and Rooflights. Offering supply only as well as supply and installation packages.

Contact

AOV Systems Ltd

Unit G11

Woodroyd Mills

Cleckheaton

WF15 6PS

Tel: 01494 266652

Email: info@AOV-Systems.com

Web: www.AOV-Systems.com

