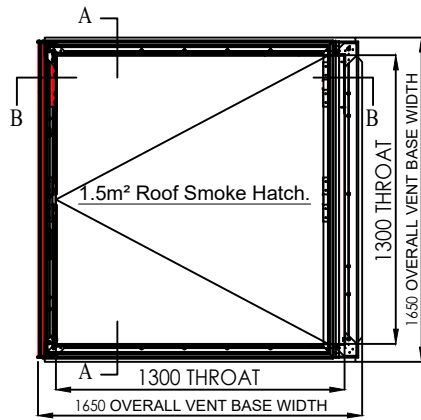
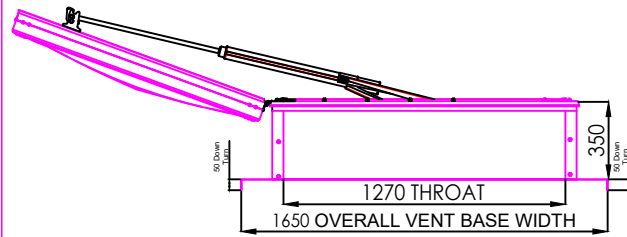
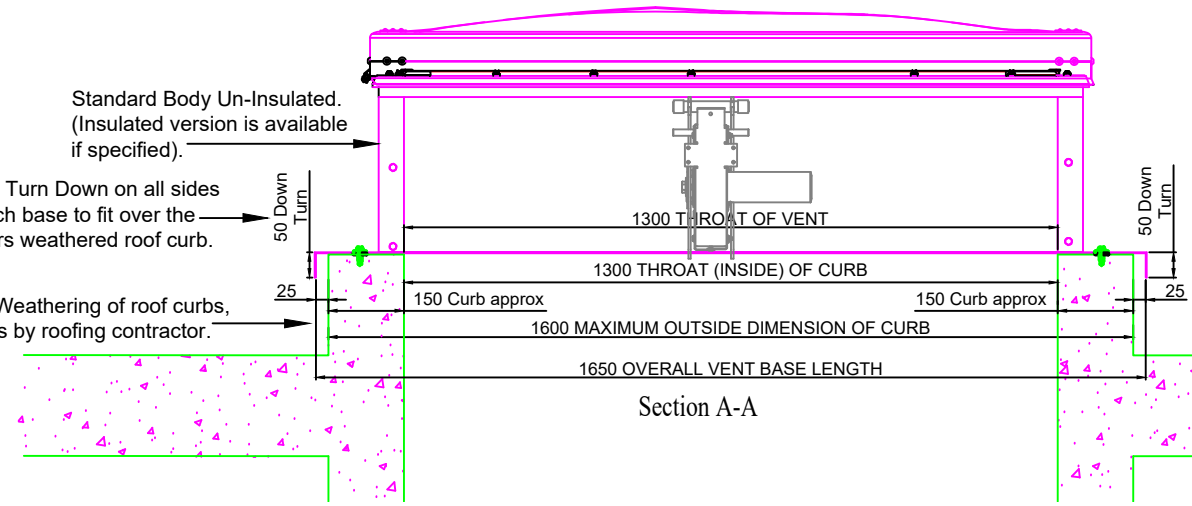


Standard Body Un-Insulated.
(Insulated version is available if specified).

50mm Turn Down on all sides of hatch base to fit over the builders weathered roof curb.

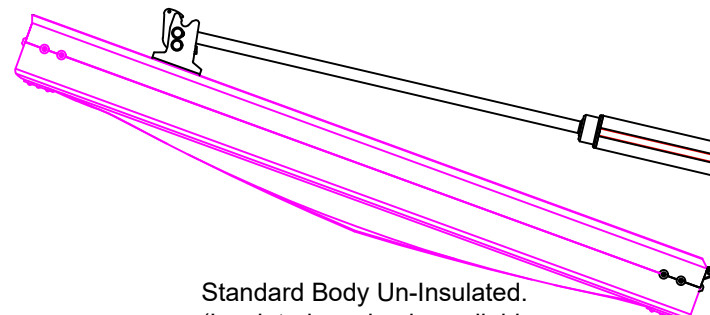
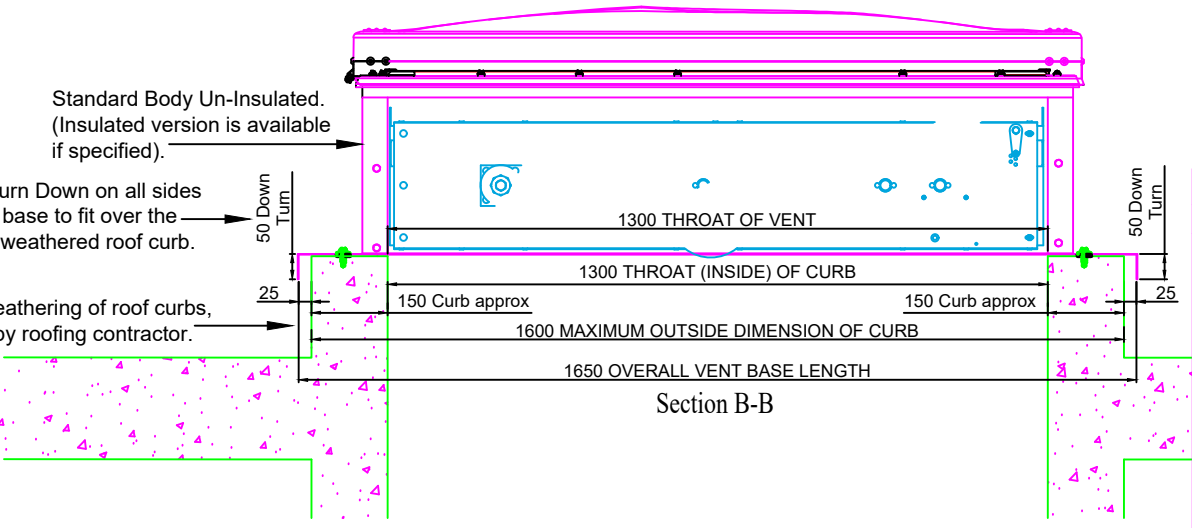
Weathering of roof curbs, is by roofing contractor.



Standard Body Un-Insulated.
(Insulated version is available if specified).

50mm Turn Down on all sides of hatch base to fit over the builders weathered roof curb.

Weathering of roof curbs, is by roofing contractor.

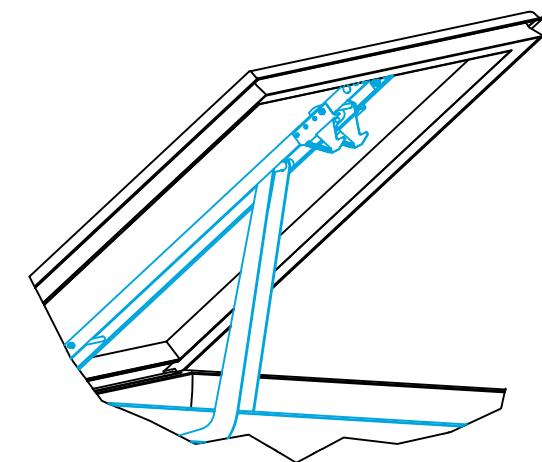
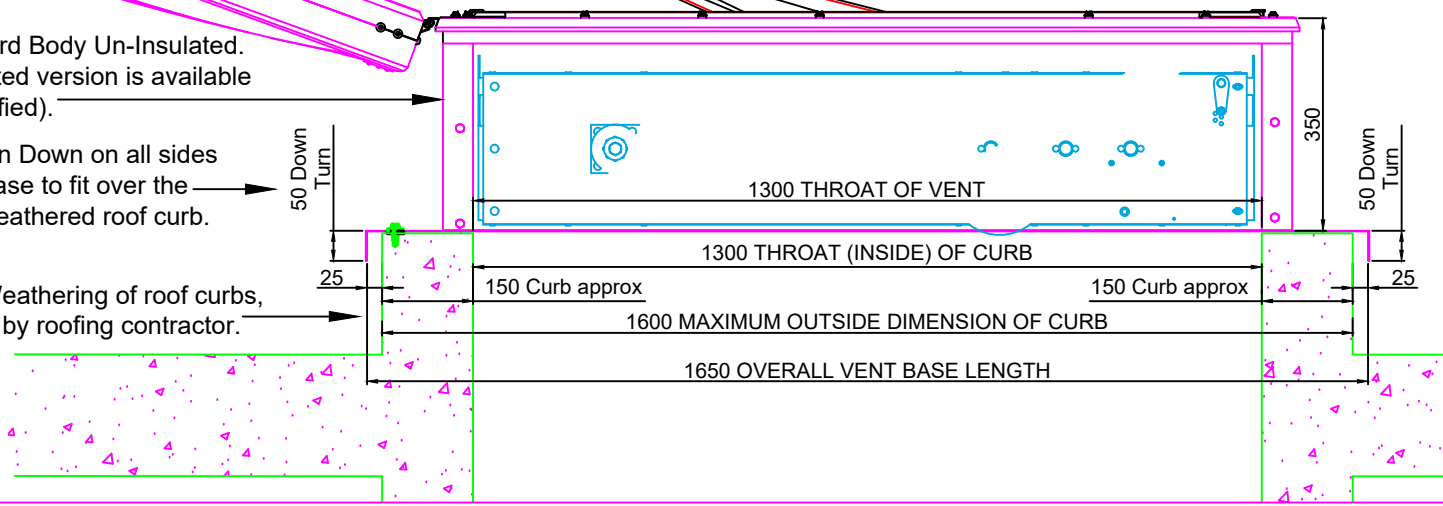


1.5m² Roof Access Smoke Hatch.

Standard Body Un-Insulated.
(Insulated version is available if specified).

50mm Turn Down on all sides of hatch base to fit over the builders weathered roof curb.

Weathering of roof curbs, is by roofing contractor.



| Revision(s) | | |
|-------------|--------|------|
| Rev'n | Change | Date |
| | | |



HUNTER PRODUCTS LTD.
This drawing is copyright. ©

Hunter Products Ltd, Bridge House,
Station Yard, Halifax Road, Liversedge,
West Yorkshire, WF15 6PS

Tel: 01422 825940

Email: TBC

Web: TBC

| | |
|----------------|-----|
| DRAWING NUMBER | REV |
| | - |

PROJECT

1.5m² Roof Hatch with 50mm
Down Turn Base & Curb Detail.

DRAWING DATE

29/06/2019

SCALE AT A3

NTS

DRAWN BY

KH

TAB NAME

1.5M2 HATCH 50MM DOWN TURN

CONTRACT NUMBER

ESTIMATE NUMBER

STATUS

COMMENT / APPROVAL