



AOV Systems

CIRRUS

CIRRUS

EN12101-2 Single Flap Smoke and Access Ventilator

AOV Systems Single Flap Smoke Ventilator and Access Hatch.
Designed to meet and exceed all expectations operationally and
aesthetically.

The AOV Systems **CIRRUS** range of AOV Single Flap Smoke Ventilators consist of 2 product types with numerous variants.

Types

SL140 Range of Single Flap 140° opening Smoke Ventilators with Roof Access Facilities. Offering; Single Aluminium, Double Insulated Aluminium, Polycarbonate and Thermal break in the aluminium profiles

SL140-A (Aluminium)

SL140-DI20 (Double Insulated Aluminium 20mm)

SL140-DI50 (Double Insulated Aluminium 50mm)

SL140-P16 C/O (16mm Clear or Opal)

SL140-P25C/O (25mm Clear or Opal)

SL140-P32C/O (32mm Clear or Opal)

SL140-TB (available on Double Insulated Aluminium and polycarbonate 25mm and 32mm)

DL90 Range of Double Flap 90° opening Smoke ventilator. Offering; Single Aluminium, Thermally Insulated Aluminium, Polycarbonate and Thermal break in the aluminium profiles

DL90- A (Aluminium)

DL90-DI (Double Insulated Aluminium)

DL90-P16 (16mm Clear or Opal)

DL90-P25 (25mm Clear or Opal)

DL90-P32 (32mm Clear or Opal)

DL90-TB (available on Double Insulated Aluminium and polycarbonate 25mm and 32mm)

SL-140 Range



CIRRUS SL-140 AOV Product Features

CIRRUS SL-140 is a single flap smoke vent suitable for the removal of large quantities of warm air and / or smoke from a building within a short period of time, daily ventilation and natural lighting. Suitable for utilization on various kerbs and domes. The vents are manufactured according to EN-ISO 9001 quality control standards and comply with the European requirements for NSHE according to EN 12101-2. The vents are formed from high quality corrosion resistant aluminium to ensure low maintenance requirements and watertightness. Various methods of operation using pneumatic or electric actuators are available. Cirrus SL140 is a perfect solution for preventive fire protection at the head of stairs and can also be used as a roof access system. Within the range on the minimum and maximum possible construction sizes, the devices can be supplied in variable dimensions.



Typical Applications

May be installed either onto roofs or into barrel vault daylighting systems. Particularly suitable for warehouses; logistics centres, production environments and industries, staircase rooms.

Materials

Aluminium; tempered, sea water and corrosion-resistant AlMg3 and extruded aluminium profiles for the frames. Corrosion-resistant bearings. The aluminium is supplied untreated as standard. Free of silicones.

Dimensions

Roof opening width W: 800, 1000, 1200, 1400, 1500 and 1800 mm

Roof opening length L: from 1000 up to 3000mm

Alternative Dimensions on demand

Opening Angle

140°, 150° and 160°

Controls Fire Ventilation

Traverse with pneumatic cylinder

Traverse with electrical motor 24V

Traverse with electrical motor 48V

Flap Options

SL140-A (Aluminium)

SL140-DI20 (Double Insulated Aluminium 20mm)

SL140-DI50 (Double Insulated Aluminium 50mm)

SL140-P16 C/O (16mm Clear or Opal)

SL140-P25C/O (25mm Clear or Opal)

SL140-P32C/O (32mm Clear or Opal)

SL140-TB (available on Double Insulated Aluminium and polycarbonate 25mm and 32mm)

Bases

Single aluminium

Double insulated aluminium

Double insulated aluminium and TB, thermal break in the aluminium base

Other non-standard bases available upon request

Flanges

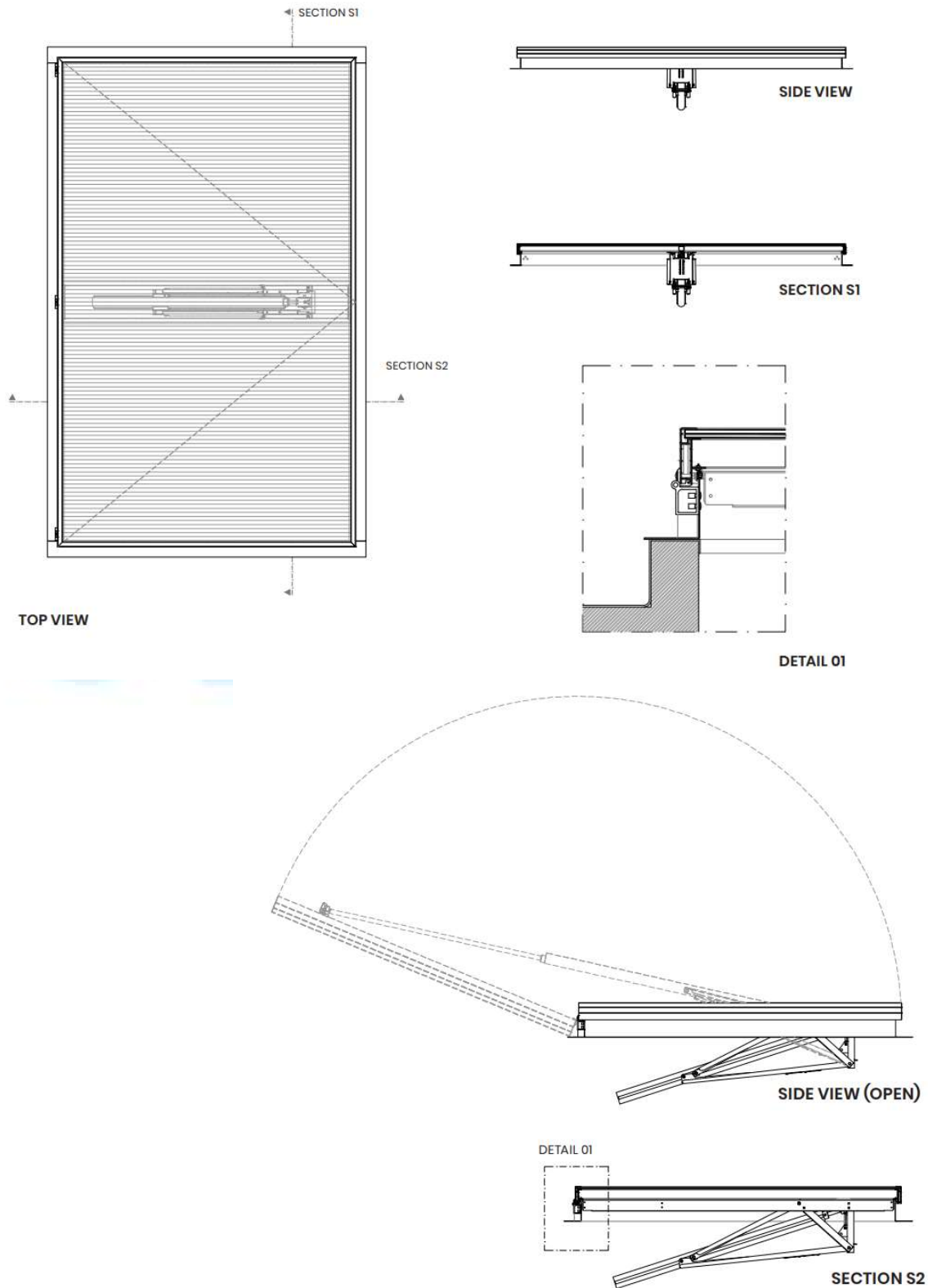
S1	Flange for single glass
S2	Flange for double glass
S3	Flange for roofs, 45° bended
S4	Flange for roofs and facades
S5	Flange for upstand, 90° bended downwards
S6	Flange 90° bended upwards
SLS	Flange for skylight connection, for different polycarbonate thicknesses
SC	Flange for connection with other flange (vents connection). Male or female connection.



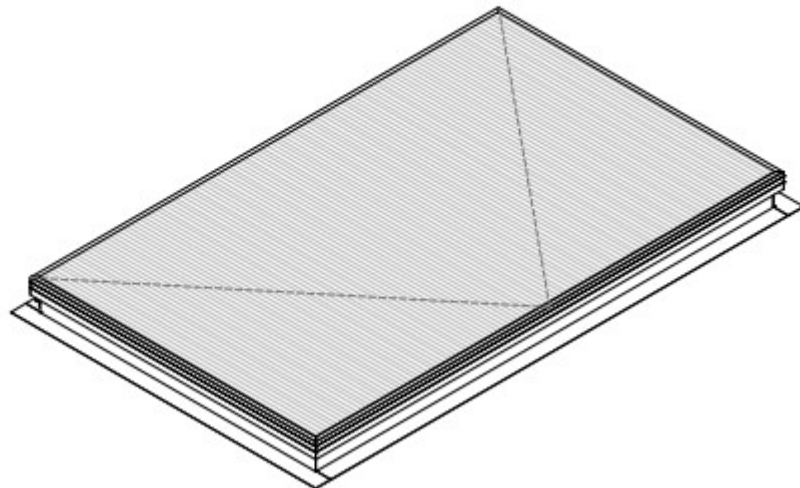
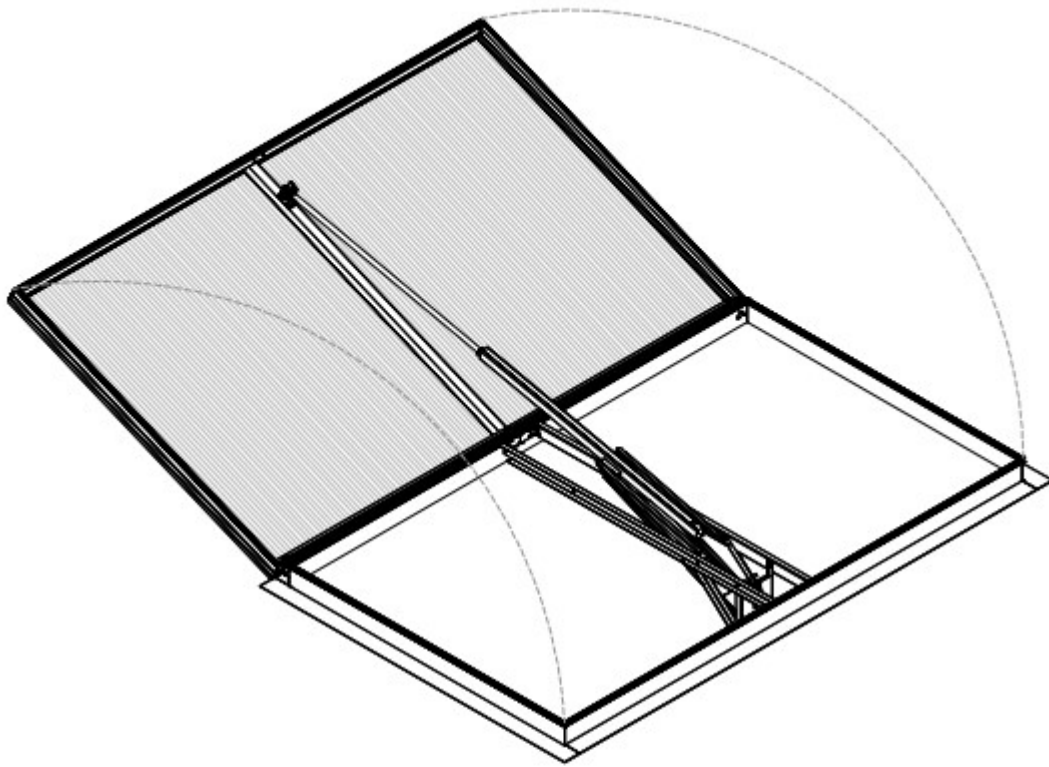
Weight

Dependent on Dimensions and Infill Type

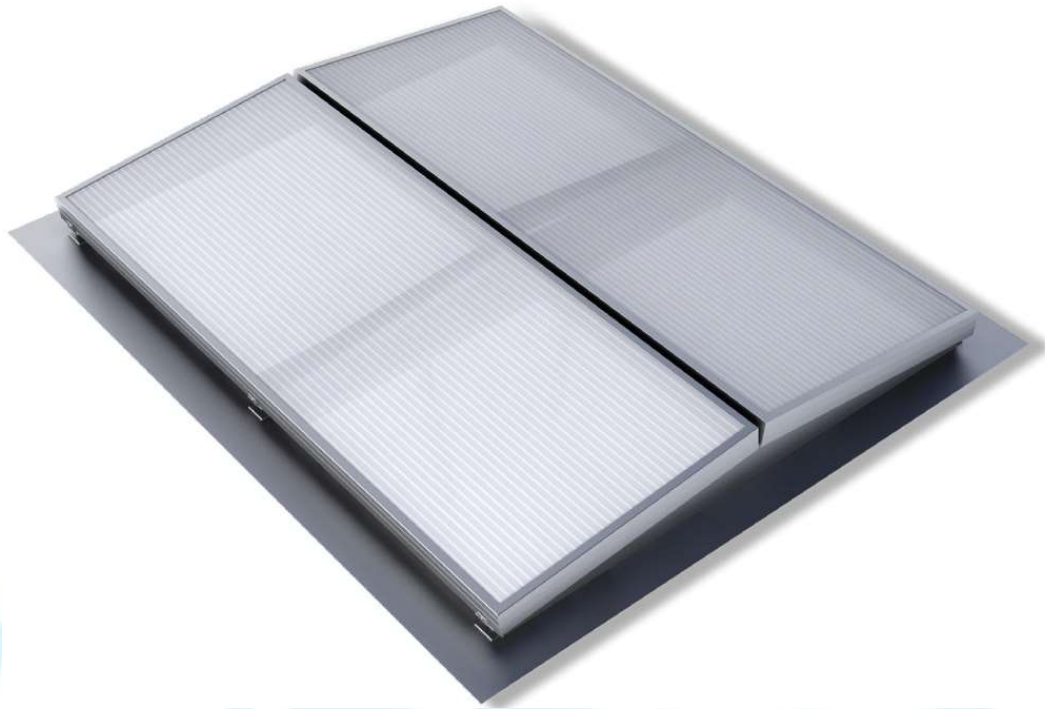
SL-140 Range Generic Drawing Package



CIRRUS



DL-90 Range



CIRRUS DL-90 AOV Product Features

CIRRUS DL-90 is a double flap smoke vent suitable for the removal of large quantities of warm air and / or smoke from a building within a short period of time, daily ventilation and natural lighting. Suitable for utilization on various kerbs and domes. The vents are manufactured according to ISO 9001 quality control standards and comply with the European requirements for NSHE according to EN 12101-2. Endurance tests with 10,000 opening and closing cycles have proven its robust and functional design. The vents are formed from high quality corrosion resistant aluminium to ensure low maintenance requirements and watertightness. Various methods of operation using pneumatic or electric actuators are available. Available on large dimensions, up to 2500 x 3500 mm (width x length)



Typical Applications

May be installed either onto roofs or into barrel vault daylighting systems. Particularly suitable for warehouses; logistics centres, production environments and industries.

- Flat roofs
- Skylights
- Northlight roofs

Materials

Aluminium; tempered, sea water and corrosion resistant AlMg3 and extruded aluminium profiles for the frames. Corrosion-resistant bearings. The aluminium is supplied untreated as standard. Free of silicones.

Dimensions

Roof opening width W: 1000 - 2500 mm

Roof opening length L: 1000 - 3500 mm

Opening Angle

Individual adjustable from 0° up to 90°

Controls Natural Ventilation

P2 - Double pipe compressed air operation

M230V Electric motor

Controls Fire Ventilation

P2F double pipe compressed air operation with fire function

M24/48V Electric motor

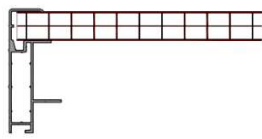
Flap Options

Blades

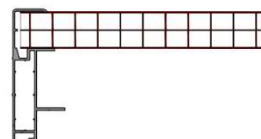
DL90-A	Single aluminium
DL90-DI	Double insulated aluminium
DL90-P16	Polycarbonate 16mm, clear or opal
DL90-P25	Polycarbonate 25mm, Clear or Opal
DL90-P32	Polycarbonate 32mm, Clear or Opal
DL90-TB	Thermal break in the aluminium profiles



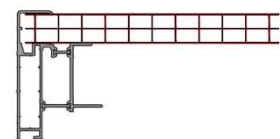
DL90-P16



DL90-P25



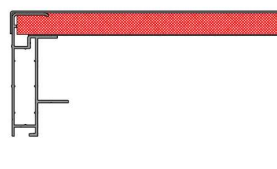
DL90-P32



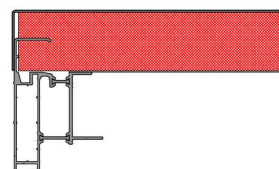
DL90-P25



DL90-A



DL90-DI 20



DL90-DI 50

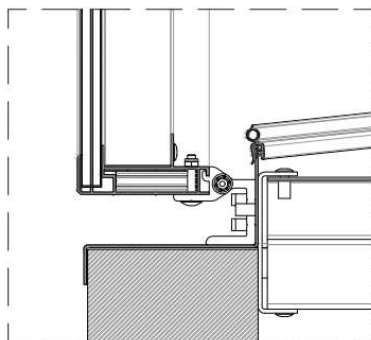
Base Options

Single aluminium

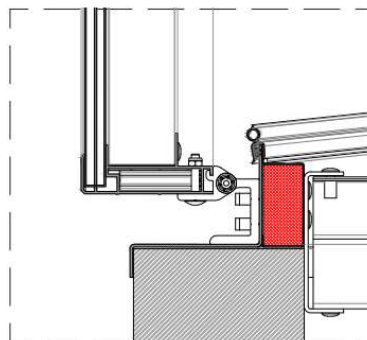
Double insulated aluminium

Double insulated aluminium and TB, thermal break in the aluminium base

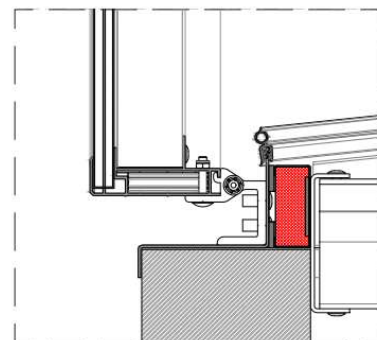
Other non-standard bases available upon request



DETAIL 01
standard aluminium



DETAIL 02
insulated aluminium

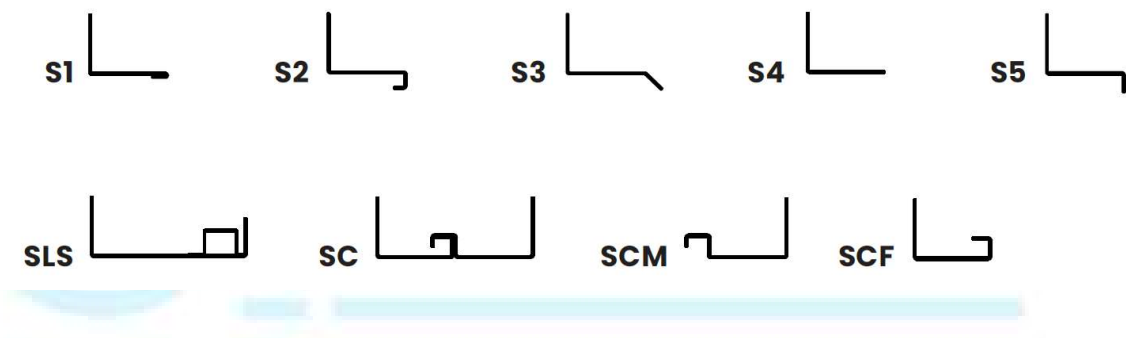


DETAIL 03
double insulated aluminium
and TB

Flanges

S1	Flange for single glass
S2	Flange for double glass
S3	Flange for roofs, 45° bended
S4	Flange for roofs and facades
S5	Flange for upstand, 90° bended downwards
S6	Flange 90° bended upwards
SLS	Flange for skylight connection, for different polycarbonate thicknesses
SC	Flange for connection with other flange (vents connection). Male or female connection.
SCM	Flange for male connection
SCF	Flange for female connection

*Custom flange design and insulated flanges upon request



Weight

Dependent on Dimensions and Infill Type

Options

Custom Dimensions / powder-coated design (any RAL colour) / Bird or insect mesh/ Anti-fall grid 1200 J

Regulations

The system has been tested and is certified in accordance with EN 12101-2

Standard Interior Dimensions

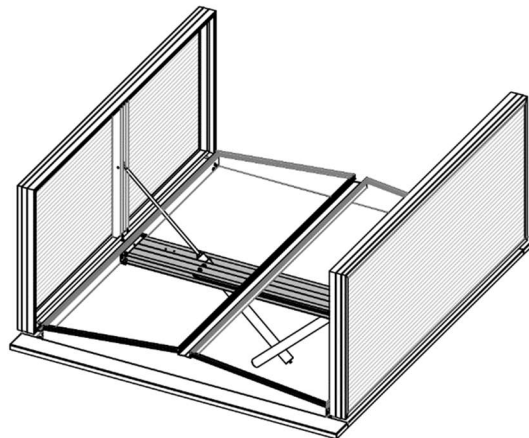
TYPE	1010	1015	1020	1025	1030	1035	1510	1515	1520	1525	1530	1535
WIDTH (MM)	1000						1500					
LENGTH (MM)	1000	1500	2000	2500	3000	3500	1000	1500	2000	2500	3000	3500
TYPE	2010	2015	2020	2025	W2030	2035	2510	2515	2520	2525	2530	2535
WIDTH (MM)	2000						2500					
LENGTH (MM)	1000	1500	2000	2500	3000	3500	1000	1500	2000	2500	3000	3500

Drive Support

1000 up to 1700



1701 up to 2500



DOUBLE FLAP SYSTEM WITH SHORTENED CYLINDERS, DL-90S

Deviating from the standard version, the DL-90 AOV can also be designed with short cylinders. This variant is used when there is a risk that the cylinders could collide with the existing bottom pipework, beams or other objects on site.

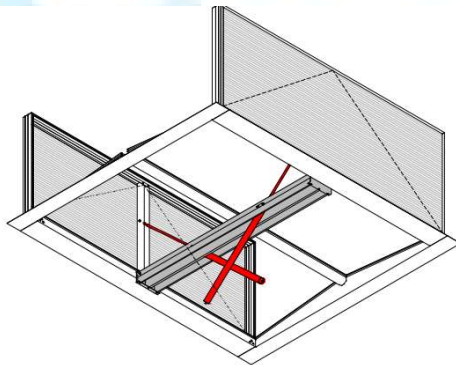
THE DL-90S VARIANT IS AVAILABLE IN SIZES:

Width: 1200 up to 2300 mm

Length: 1000 up to 3000 mm

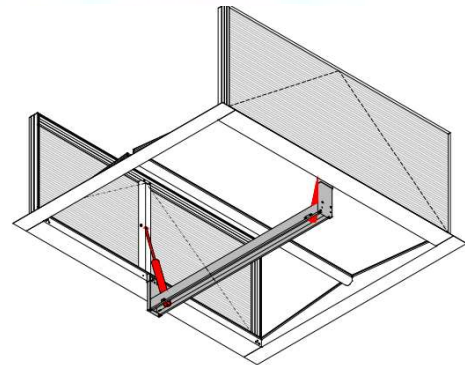


DL-90

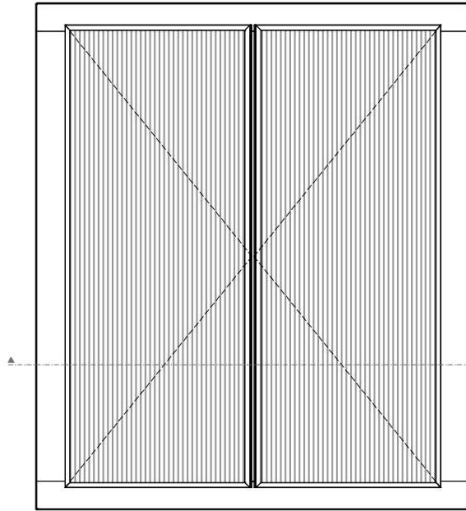


**BOTTOM PERSPECTIVE VIEW OPEN
OPENING SYSTEM**

DL-90S



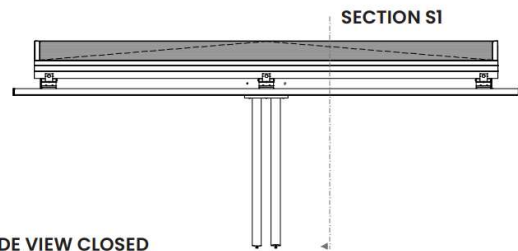
**BOTTOM PERSPECTIVE VIEW OPEN
OPENING SYSTEM**



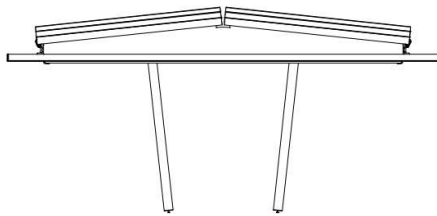
SECTION S1

DIMENSION DRAWING FOR DELTA INSTALLATION

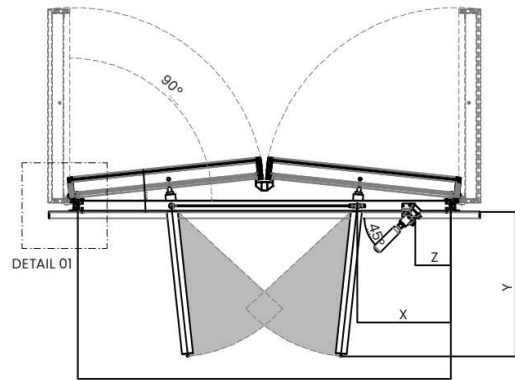
WIDTH	DRIVE	X	Y	Z
1000 - 1700	P2F - 575	427	660	162
	M24V - 575	427	630	-
1701 - 2500	P2F - 800	598	890	162
	M24V - 800	598	830	-



SIDE VIEW CLOSED



FRONT VIEW CLOSED



SECTION S1

About Us

AOV Systems covers the entirety of the UK. We offer an exciting range of Smoke Ventilation, Natural Ventilation, Control Panels, Roof Access Hatches, Gated Handrails, Louvres and Rooflights. Offering supply only as well as supply and installation packages.

Contact

AOV Systems Ltd

Unit G11

Woodroyd Mills

Cleckheaton

WF15 6PS

Tel: 01494 266652

Email: info@AOV-Systems.com

Web: www.AOV-Systems.com

