

PRODUCT FEATURES

TRILUX RA is a roof access hatch. It is built entirely with aluminium and the lid is available in different materials. The opening can be either manual with gas strings or with electric motors. TRILUX RA is appropriate for roof access while doing installations and maintenance on roofs. Wide range of dimensions and configurations are available.



TRILUX RA (roof access)

trilux RA



TYPICAL APPLICATIONS

May be installed on roofs.

MATERIALS

Aluminium; tempered, sea water and corrosion-resistant AlMg3 and extruded aluminium profiles for the frames.
The aluminium is supplied untreated as standard. Free of silicones.

DIMENSIONS

Roof opening width **W**: 500 -1500 mm
Roof opening length **L**: 600 - 1200 mm
Other dimensions available upon request

OPENING ANGLE

Individual adjustable from 0° up to 90°

CONTROLS

Standard manual opening with lateral gas springs
M230V / M24V Electric motors

AOV Systems



AOV Systems

www.AOV-systems.com

Tel: 01494266652

FLAPS

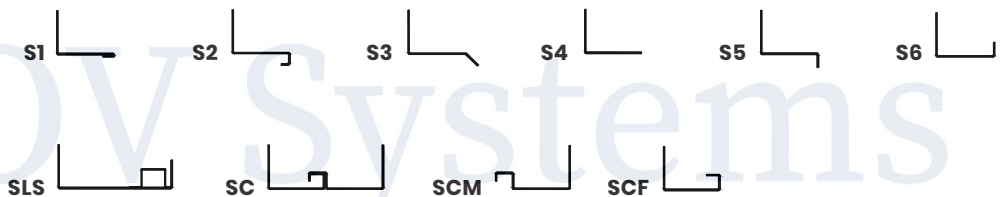
AL	Single aluminium
AL ISO	Double insulated aluminium (20 and 50 mm)
PC16	Polycarbonate 16mm, clear or opal
PC25	Polycarbonate 25mm, clear or opal
PC32	Polycarbonate 32mm, clear or opal
TB	Thermal break in the aluminium profiles. Available for flaps of AL ISO, PC25 mm, PC32 mm

BASES

Single aluminium
 Double insulated aluminium
 Double insulated aluminium and TB, thermal break in the aluminium base
 Other non-standard bases available upon request

FLANGES

S1	Flange for single glass
S2	Flange for double glass
S3	Flange for roofs, 45° bended
S4	Flange for roofs and facades
S5	Flange for upstand, 90° bended downwards
S6	Flange 90° bended upwards
SLS	Flange for skylight connection, for different polycarbonate thicknesses
SC	Flange for connection with other flange (vents connection). Male or female connection.
SCM	Flange for male connection
SCF	Flange for female connection



AOV Systems

www.AOV-systems.com

Tel: 01494266652

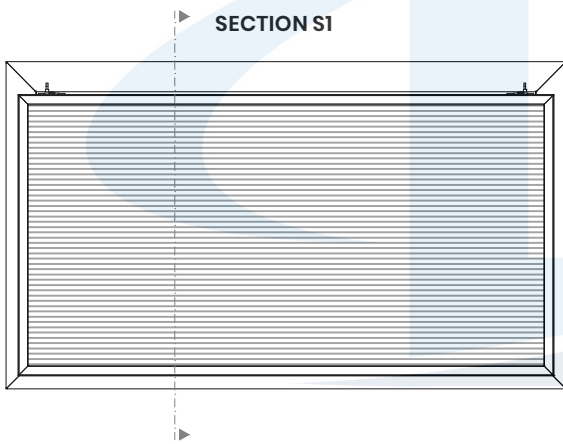
WEIGHT

Depends on dimensions and type of infill

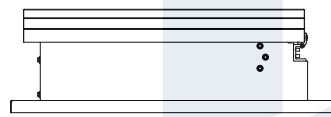
OPTIONS

Custom dimensions / Powder-coated design (any RAL colour)

	OPENING ROOF DIMENSIONS								
	1010	1015	1020	1212	1515	1520	2020	2025	2035
WIDTH	1000	1000	1000	1200	1500	1500	2000	2000	2000
LENGTH	1000	1500	2000	1200	1500	2000	2000	2500	3500

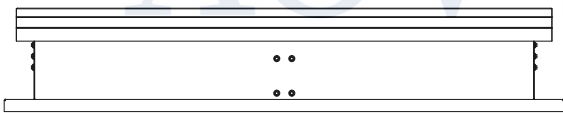


SECTION S1

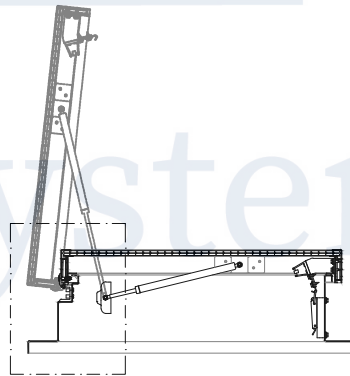


SIDE VIEW

TOP VIEW



FRONT VIEW



DETAIL 01

SECTION S1 CLOSED

GENERAL DRAWINGS | TRILUX RA



AOV Systems

www.AOV-systems.com

Tel: 01494266652